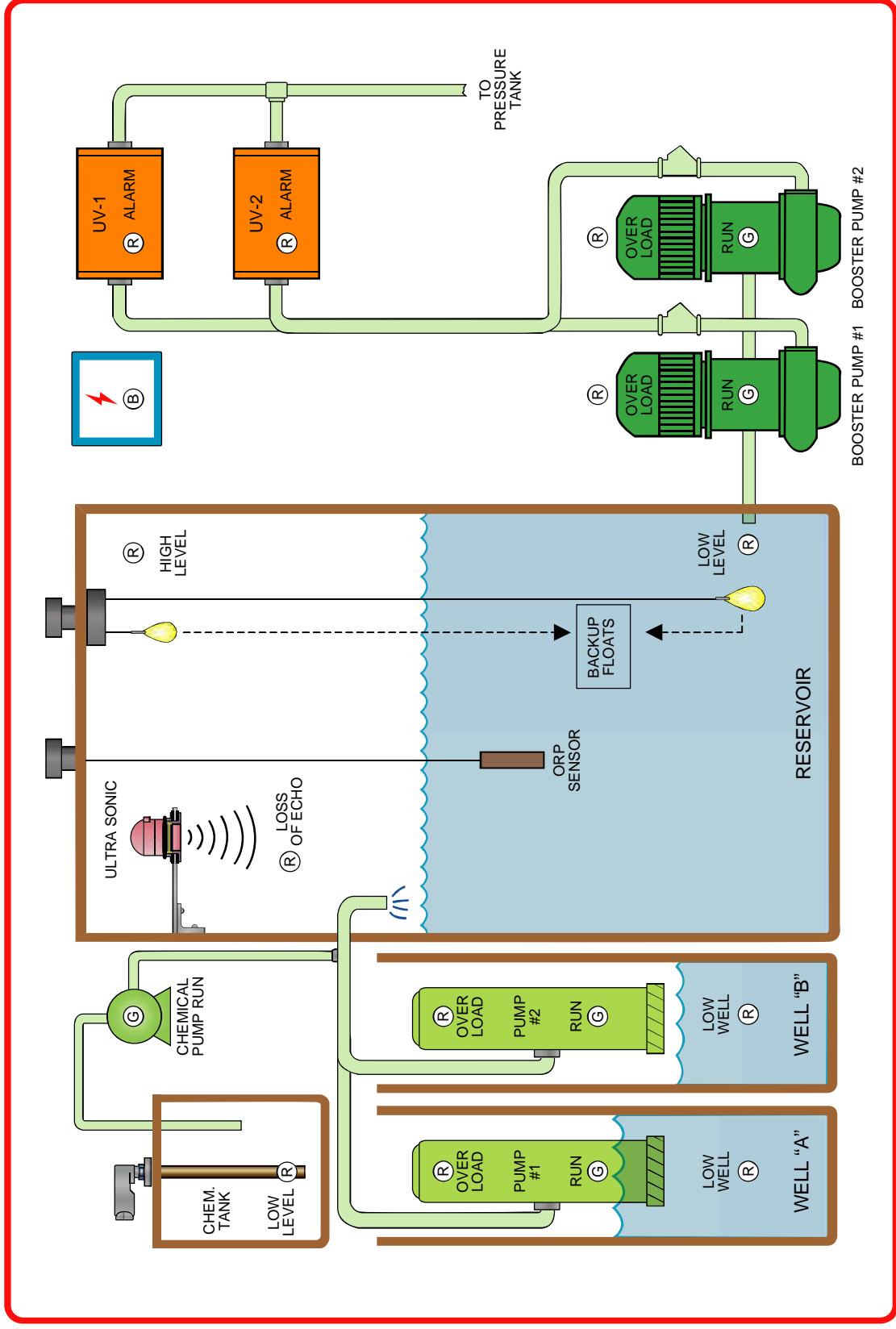


# Well / Reservoir Control System



Northwest Tech-Con Systems Ltd.

LAB10-43TRI	MAR., 2005
REF. FILE: 11602	DWG: #11512