



DUPLEX COMPRESSOR CONTROL PANEL

D-CCP

**An Innovative Duplex Air Pressure Controller for:
 Residential, Commercial, and Municipal Applications. Operated by an Air Pressure Switch.**

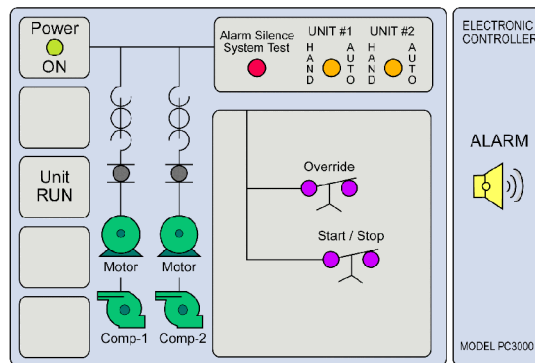
- 120 OR 240 VOLT - SINGLE PHASE FROM 0.3 TO 1.5 HP
- 208, 480 OR 575 VOLT - 3 PHASE FROM 0.5 TO 50 HP



FEATURES:

- Modular circuit board
- Minimum RUN timer
- Automatic alternations
- Hand-off auto switch
- LED test / alarm silence / systems test push button
- Programmable switch, lead/lag or alternate
- Motor RUN indicators
- Power ON indicator
- Pressure ON indicators
- Low or high pressure alarm (audible and visual)
- Motor contactors and circuit protectors
- Remote alarm (12VDC output)
- Easy troubleshooting and maintenance
- UL approved

Northwest Tech-Con System's D-CCP compressor control panel is a high quality duplex control system designed to maintain air pressure in a variety of compressor systems. NWTC controller is built for use with a complete line of compressors to provide maximum protection and efficiency for all models. A low voltage control module is used to operate the starting, stopping and alternation of the compressors with one compressor operating to handle normal pressure. A second compressor becomes operational when system pressure is too low. A built-in alarm will sound when the air pressure is low. In case of a duty compressor being switched off under overload or high temperature the controller will automatically start the lag compressor.



Ordering Information

D-CCP — 120 — A B E

| | |
 Duplex Voltage Options
 Compressor by
 Control Panel Letter