



SIMPLE AND RELIABLE

# FUEL MONITOR SYSTEM WITH ULTRA SONIC LEVEL SENSOR

## FMS-120

FOR DIESEL, OIL, WATER AND CHEMICAL

NWTC is proud to introduce the new micro processor liquid monitor system controller package. It monitor and measure liquid in storage tank in litre, gallon or level in percentage that delivers accurate real time data logger for main tank or day tank.

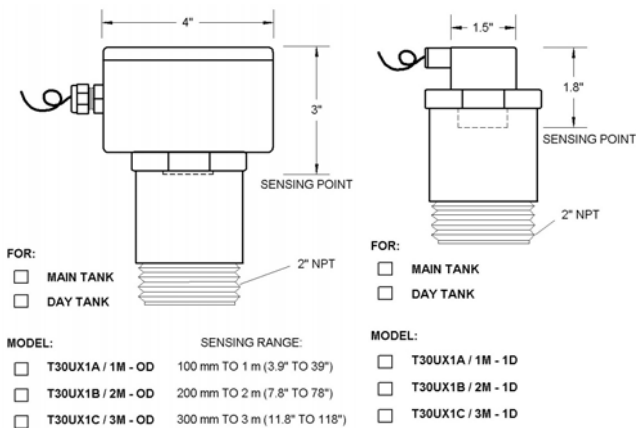
### Features

- Reliable and precise level measurement
- Inventory control and alarm set points
- Monitor litre/gallon or percentage in tank
- Reliable ultra sonic level sensor
- Micro Processor with LCD display
- Remote communications and integration via serial modbus
- Data logger



FUEL MONITOR MODEL: FMS-120

### Ultra Sonic Level Sensor



### Features

- 1, 2 and 3 m versions with short dead zones (10% of max. range)
- Built-in temperature compensation
- Fast, easy-to-use TEACH-mode configuration; no potentiometer adjustments
- Configure with either a positive or negative analog output slope
- Remote TEACH for security and convenience
- Wide operating temperature range of -40° to +70° C (-40° to +158° F)
- 4 to 20 mA output
- Compact, self-contained, right-angle sensor package with fully encapsulated electronics



MODEL	DEPTH	DEAD BAND	OUTPUT	TEMPERATURE
T30UX1A	100 mm to 1 m 3.9" to 39"	100 mm 3.9"	4 to 20 mA	-40° to +70° C -40° to +158° F
T30UX1B	200 mm to 2 m 7.8" to 78"	200 mm 7.8"	4 to 20 mA	-40° to +70° C -40° to +158° F
T30UX1C	300 mm to 3 m 11.8" to 118"	300 mm 11.8"	4 to 20 mA	-40° to +70° C -40° to +158° F

**Northwest Tech-Con Systems Ltd.**

FMS-120\_20141202



40 Years in System Design

#104 - 7450 Lowland Drive, Burnaby, BC, V5J 5A4 (T) 604 - 439 -1046 (F) 604 - 439 - 1079 (Em) info@nwtc.ca | (Web) www.nwtc.ca