



**Northwest Tech-Con Systems**

*Solutions for Tomorrow's Technologies*

# B-SCP

Constant Pressure Controller



An innovative, reliable pump controller designed for :  
**Constant Pressure in Distribution Systems**

Available in SCP | DCP | TCP

FEATURES:

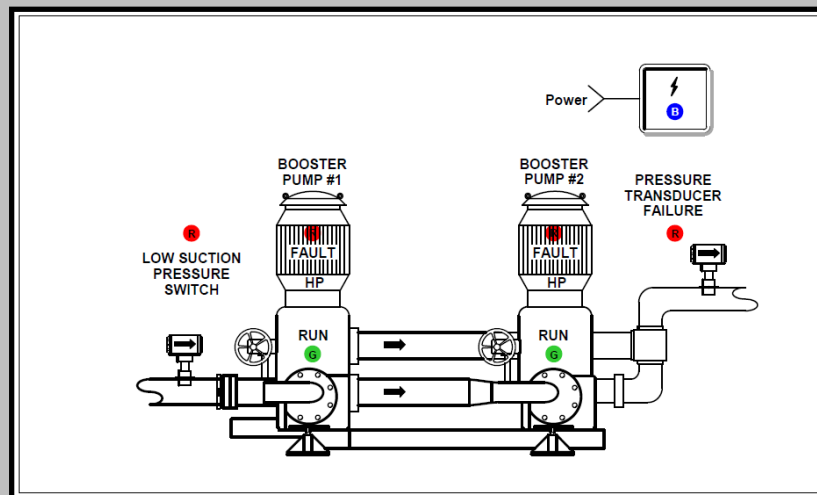
- |   |  |
|---|--|
| Microprocessor base                     | Multiple motor speed settings with VFD |
| HMI display with password protection    | Pump run time indication               |
| Lead/Lag/Alternate function selections  | Optional Data Logger and SCADA         |
| Multiple alarm settings                 | Optional Remote Interface              |
| Motor Contractor and Circuit Protection | Optional Custom add-on                 |



**With tens of thousands of pump controllers throughout North America,**

Northwest Tech-Con System's model B-SCP | B-DCP | B-TCP constant pressure controllers are designed to maintain constant pressure for water distribution systems. With two pressure transducers placed at the suction and discharge of the pump, each pump can be individually controlled to produce the optimal amount of pressure for the systems. The pressure accepts user input within safety guidelines and is password protected to prevent any unwanted tampering. Optional interface and notification options are available to inform the user when a problem has occurred.

## BOOSTER PUMP STATION



NORTHWEST TECH-CON SYSTEMS LTD.

*Front LED Graphic Sample*

