



WS-12

Pump Seal Leak Failure Relay



Low voltage Sensing Module

Manually Adjustable Sensitivity

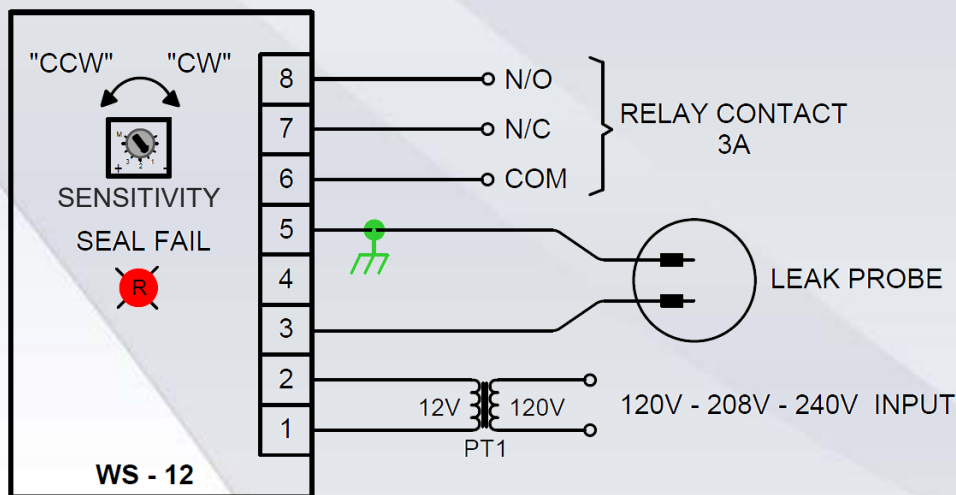
Leak indication (LED)

SPDT Relay contact 3 AMP to control PLC

Auto Reset Feature

Low Failure Rate <1%

Accepts 12VAC /DC (Transformer PT1 may be needed if no 12V supply present)



Note: If seal leak probe only has one wire, connect to pin 3