



SIMPLE AND RELIABLE

# FUEL MONITOR AND TRANSFER SYSTEM WITH ULTRA SONIC LEVEL SENSOR

# FTC-U

FOR DIESEL, OIL, WATER AND CHEMICAL

S-FTC-U Single Pump

D-FTC-U Duplex Pump

NWTC is proud to introduce the new micro processor liquid monitor and transfer controller package. It monitor and measure liquid in storage tank in litre, gallon or level in percentage that delivers accurate real time data logger and control start/stop transfer pump from main tank to day tank.

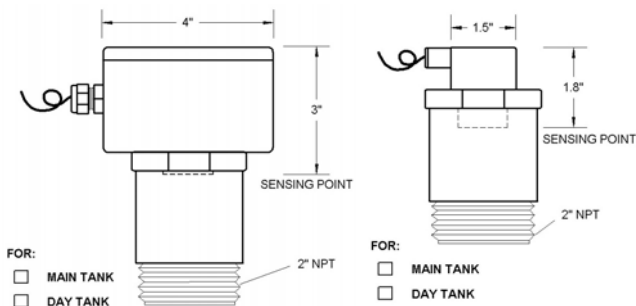


FUEL MONITOR AND TRANSFER SYSTEMS MODEL: FTC-120

### Features

- Reliable and precise level measurement
- Inventory control and alarm set points
- Monitor litre/gallon or percentage in tank
- Reliable ultra sonic level sensor
- Micro Processor with LCD display
- Remote communications and integration via serial modbus
- Data logger
- Backup probe

### Ultra Sonic Level Sensor



### Features

- 1, 2 and 3 m versions with short dead zones (10% of max. range)
- Built-in temperature compensation
- Fast, easy-to-use TEACH-mode configuration; no potentiometer adjustments
- Configure with either a positive or negative analog output slope
- Remote TEACH for security and convenience
- Wide operating temperature range of -40° to +70° C (-40° to +158° F)
- 4 to 20 mA output
- Compact, self-contained, right-angle sensor package with fully encapsulated electronics



MODEL	DEPTH	DEAD BAND	OUTPUT	TEMPERATURE
T30UXIA	100 mm to 1 m 3.9" to 39"	100 mm 3.9"	4 to 20 mA	-40° to +70° C -40° to +158° F
T30UXIB	200 mm to 2 m 7.8" to 78"	200 mm 7.8"	4 to 20 mA	-40° to +70° C -40° to +158° F
T30UXIC	300 mm to 3 m 11.8" to 118"	300 mm 11.8"	4 to 20 mA	-40° to +70° C -40° to +158° F

**Northwest Tech-Con Systems Ltd.**

FTC\_U\_20141202

