



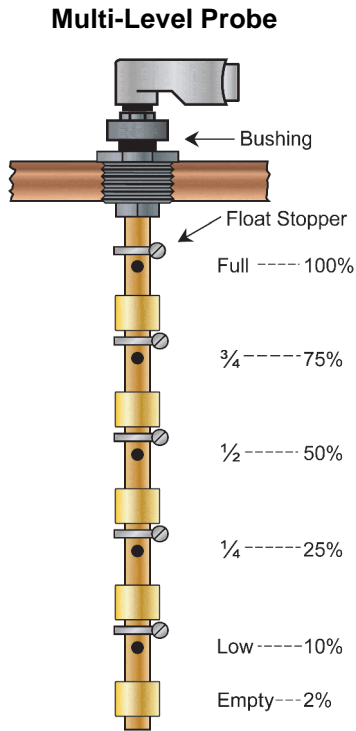
MULTI-LEVEL PROBE & LEVEL MONITOR

NTS
3700

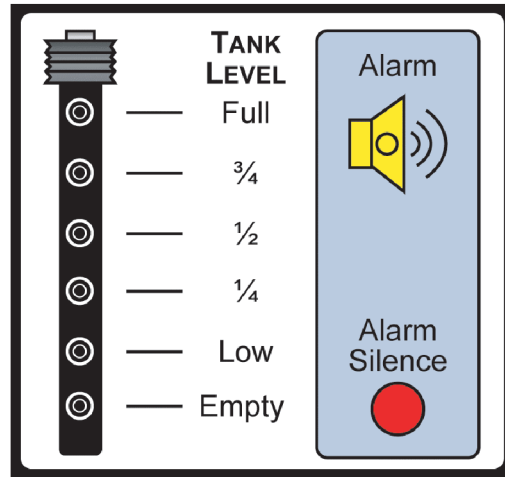
• Simplex • Versatile • Reliable •

Northwest Tech-Con System's NTS3700 custom design multi-level probe and level monitor for diesel fuel, holding tanks, non-corrosive chemicals. The sensor floats actuate each level to indicate level condition, high or low alarm. There are two types of monitor controller model LED-12 or model LCD-120.

Specification:	
Bushing:	1, 1½" or 2" NPT
Stem:	Brass, PVC or Stainless Steel
Float:	Polyol Urethane
Pressure:	150 PSI
Temperature:	0°C to 80°C
Level(s):	6 to 10 Levels
Input Voltage:	120 VDC
Enclosure Type:	Cema1 (12" x 12" x 8")



Front Panel Graphic LED Type



Text Message LCD Type

Liquid Level Monitor

Text Message

ESC
OK

Level (%) +00100	Level (%) +00075	Level (%) +00050
Low Level Alarm Level (%) +00010	Empty Alarm Level (%) +00002	

* Level can be shown continually with different units such as (cm) or (inches).